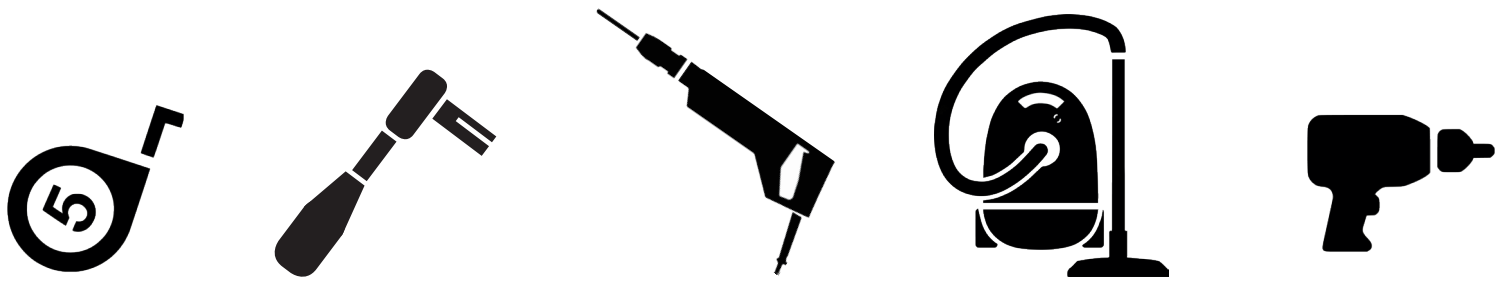


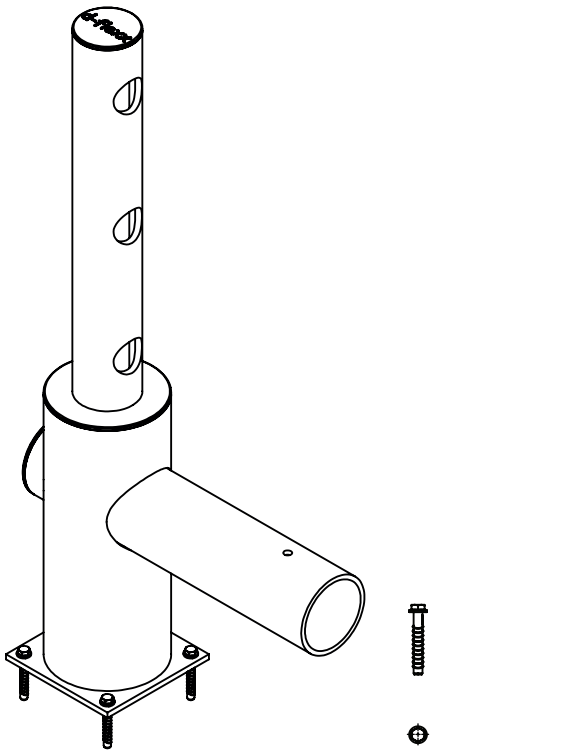
d-flexx



d-flexx  
**Echo**

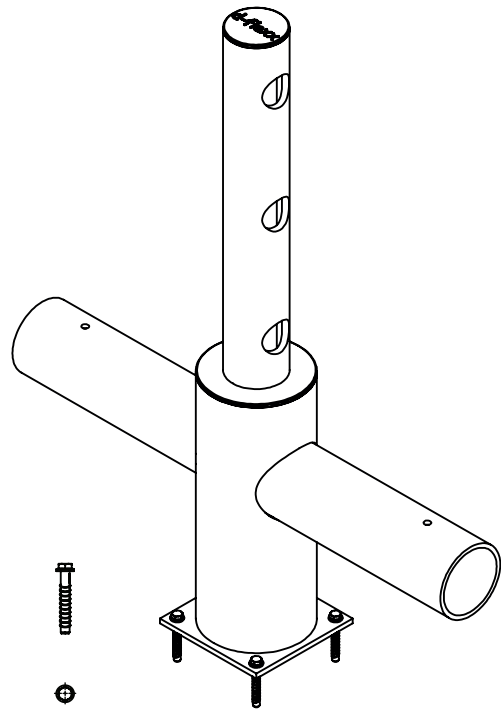


DFVB+E



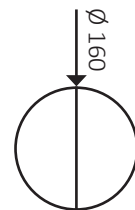
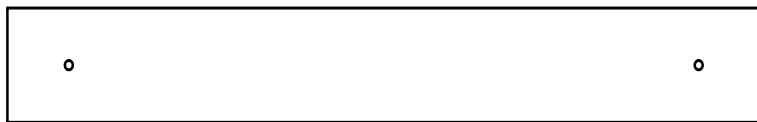
75002  
x4

DFVB+M

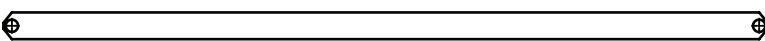


75002  
x4

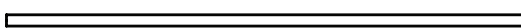
DFVB-R & DFVB-I



71040 x 1



72040 x 3



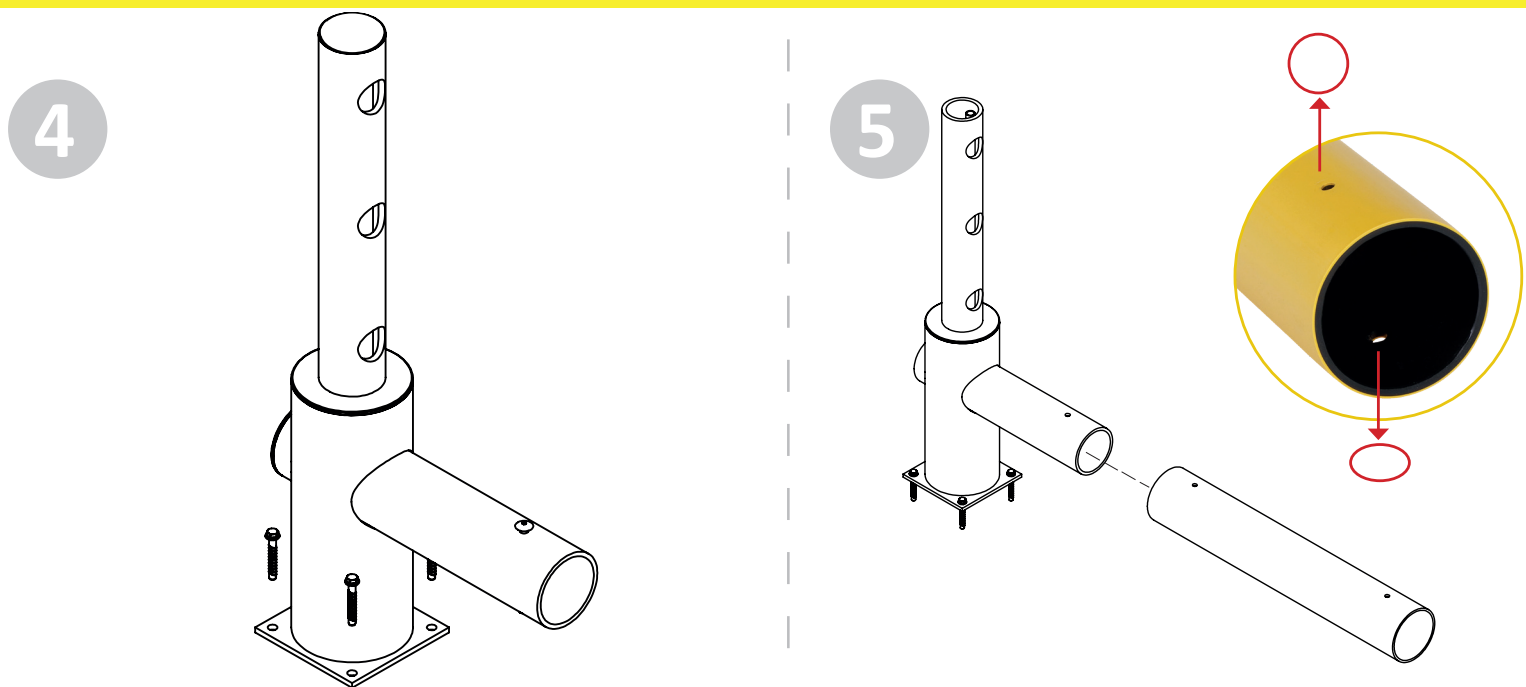
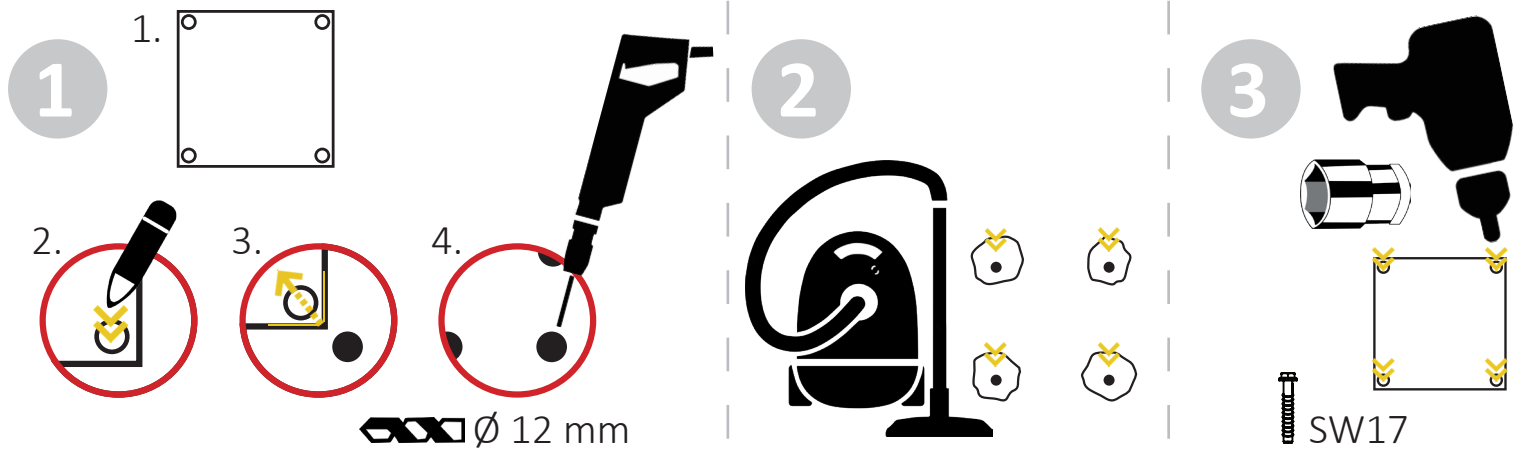
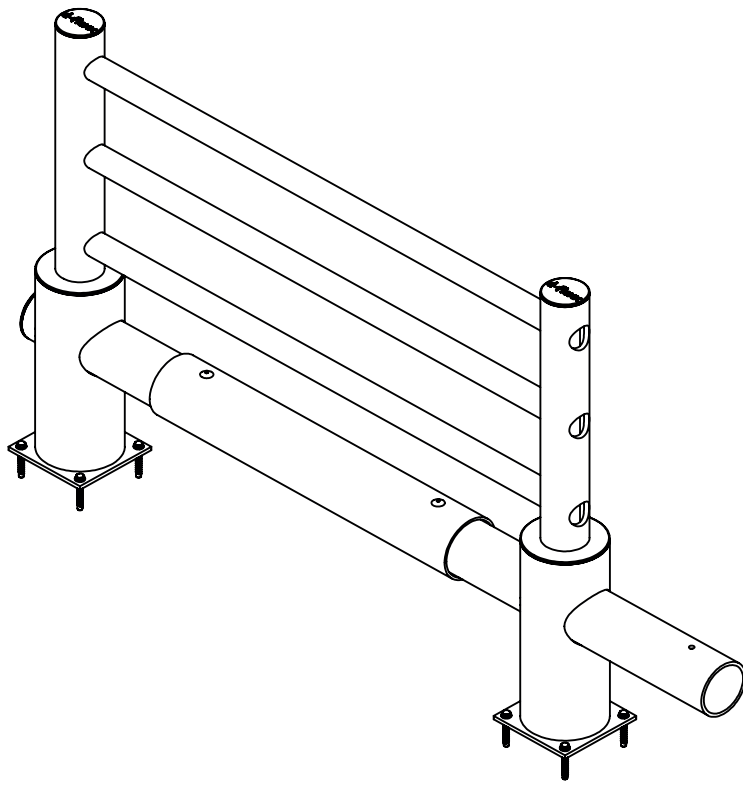
901.01-5 x 2



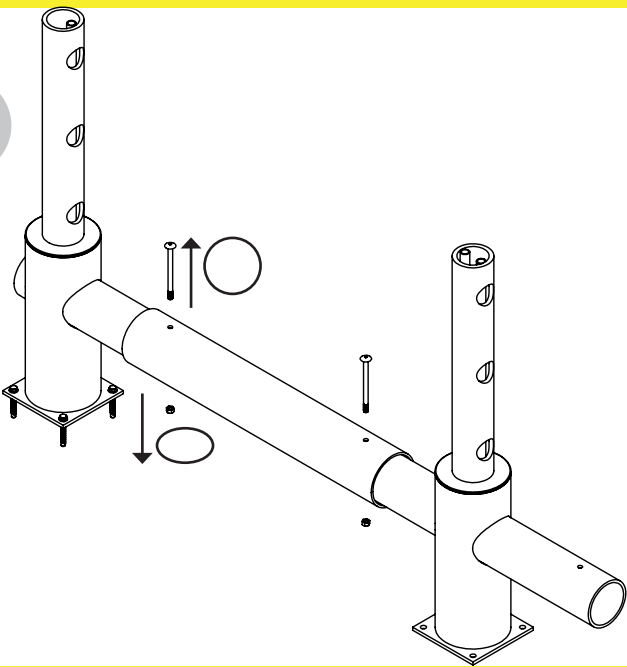
71031 x 2



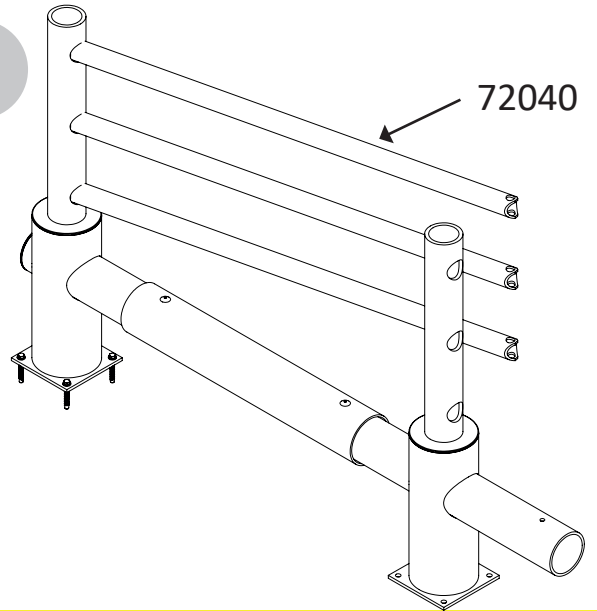
71032 x 2



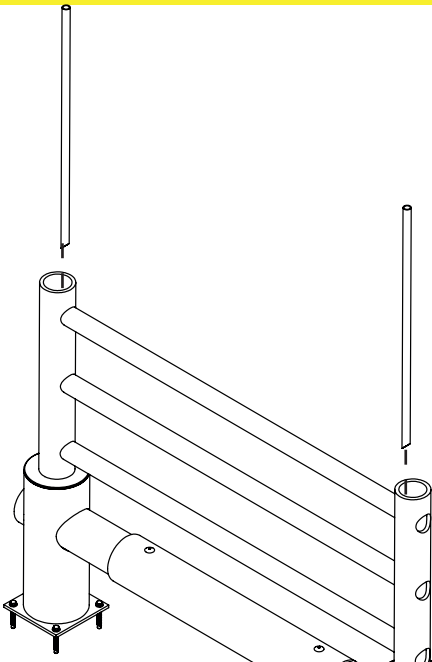
6



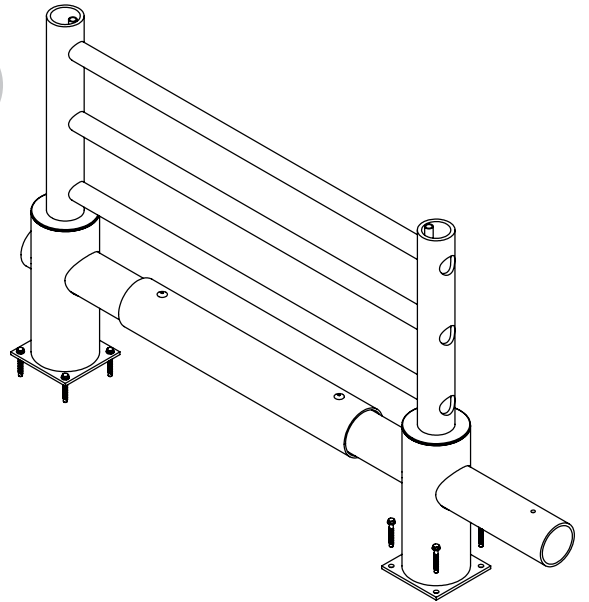
7



8



9



10

